

Non-Metallic Systems

Xtraflex XF Type A



Technical Characteristics

Conforms to Low voltage directive

Approvals and Standards



Degree of mechanical protection High Impact Resistance

Degree of protection IP65 - As standard

UV protection High

Fitting Characteristics



Straight fitting - Fixed external male thread
Black (BL) Only

Application

For insertion into threaded entries or knockouts using a locknut to secure
(Locknuts Supplied with METRIC Threads Only)

Normal operating temperature range

Application	Min Temp	Max Temp
Static	- 5°C	+60°C
Dynamic	- 5°C	+60 °C

For use with - Conduit Series

Standard weight Xtraflex Type [XF](#)

Fire performance (Fittings ONLY)

Test Standard	Performance Rating	
ISO 4589-2	24%	
BS EN 60695-2-11	850°C	Self Extinguishing Low Smoke & Halogen Free
UL94	V2	

Testing data

Click or See page [3](#)

Type of material

Polyamide (Nylon) 66 - Body

Image



The Company's policy is one of continuous improvement and reserves the right to change specifications at any time without prior notice.

Non-Metallic Systems

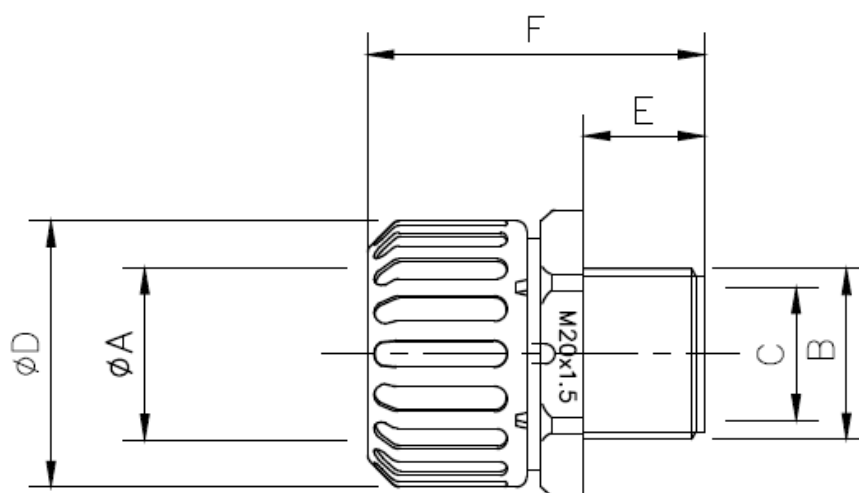


Xtraflex XF Type A

Dimensional & Thread Data

Part No Black Body Metric Threads	Nominal Conduit A	Thread B	Nominal Dimensions (mm)			
			C	D	E	F
XF12/M16/D	12	M16x1.5	8.0	22.0	11.5	35.5
XF16/M16/D	16	M16x1.5	10.0	27.0	11.5	35.5
XF16/M20/D	16	M20x1.5	10.0	27.0	13.0	37.0
XF20/M20/D	20	M20x1.5	13.5	33.0	13.0	43.5
XF25/M25/D	25	M25x1.5	19.0	43.0	15.5	52.5
XF32/M32/D	32	M32x1.5	25.0	47.0	16.5	53.5
XF40/M40/D	40	M40x1.5	31.0	59.0	16.5	54.5
XF50/M50/D	50	M50x1.5	40.6	72.0	16.5	55.5

Metric	Standard thread conforming to EN60423 & BS3643		
Thread Size	Ext Thread Outside Diameter	Int Thread Inside Diameter	Pitch
M12	12mm	10.9mm	1.5mm
M16	16mm	14.4mm	1.5mm
M20	20mm	18.4mm	1.5mm
M25	25mm	23.4mm	1.5mm
M32	32mm	30.4mm	1.5mm
M40	40mm	38.4mm	1.5mm
M50	50mm	48.4mm	1.5mm
M63	63mm	61.4mm	1.5mm



NOTE: Dimensions are nominal

The Company's policy is one of continuous improvement and reserves the right to change specifications at any time without prior notice.

Non-Metallic Systems

Xtraflex XF Type A



Thermal Properties

Test Type	Methods / Standards	Requirements	Value
Dynamic Applications		5000 Operations at MBR 2hrs	-5°C to +60°C
Static Short Term Temp		Temporary Use (3000hrs)	-5°C to +60°C
Static Long Term Temp		Permanent Use (30,000) Hours	-5°C to +60°C

Flammability

Test Type	Method / Standard	Requirement	Result	Unit
Glow Wire	BS EN 60695-2-11	Extinguish within 30s	850°C	°C
Flammability	IEC 61386-1-12	1Kw Burner Flame to Self Extinguish	Pass	Pass/Fail
Oxygen Index	ISO 4589-2		24.1	%

Chemical Resistance Chart

Key:	Green Circle	Yellow Circle	Red Circle	Black Circle
Suitable :	●			
Limited Suitability :		●		
Unsuitable :			●	
Not Tested :				●

● Astm No.1	● Diesel oil	● Methyl Bromide	● Sulphur Dioxide (Gas)
● Astm No.2	● Diethylamine	● MEK	● Sulphuric Acid (10%)
● Astm No.3	● Ethanol	● Nitric Acid (10%)	● Sulphuric Acid (70%)
● Acetic Acid (10%)	● Ether	● Nitric Acid (70%)	● Toluene
● Acetone	● Ethylamine	● Oxalic Acid	● Transformer Oil
● Aluminium Chloride	● Ethylene Glycol	● Ozone (Gas)	● 1,1,1-Trichloroethane
● Aniline	● Ethyl Ethanoate	● Paraffin oil	● Trichloroethylene
● Benzaldehyde	● Freon 32	● Petrol	● Turpentine
● Benzene	● Hydrochloric Acid (10%)	● Phenol	● Vegetable Oil
● Carbon tetrachloride	● Hydrochloric Acid (36%)	● Sea Water	● Vinyl Acetate
● Chlorine water	● Hydrogen Peroxide (35%)	● Silver Nitrate	● Water
● Chloroform	● Hydrogen Peroxide (87%)	● Skydrol	● White Spirit
● Citric Acid	● Lactic Acid	● Sodium Chloride	● Zinc Chloride
● Copper Sulphate	● Lubricating oil	● Sodium Hydroxide (10%)	
● Cresol	● Methanol	● Sodium Hydroxide (60%)	

The information above is given as a guide only and is based on published technical data and experience. The chemical resistance of the above products is dependant on factors such as chemical exposure, concentration of the chemical and temperature. The above chemicals are valid for a temperature of 23°C. Use of the above table is at the users own discretion and risk. Those using it must satisfy themselves that their application presents no health and safety risks. The end user should assess compatibility with their application and contact Thomas & Betts for further information.

ADHERENCE TO THE CURRENT WIRING REGULATIONS BS7671 OR NEC WIRING REGULATIONS (FOR USA) IS STRONGLY ADVISED.
 MINIMUM BEND RADIUS FOR FLEXING IS DEPENDANT UPON MINIMUM TEMPERATURE, BENDING FREQUENCY AND CHEMICAL ENVIRONMENT.

The Company's policy is one of continuous improvement and reserves the right to change specifications at any time without prior notice.